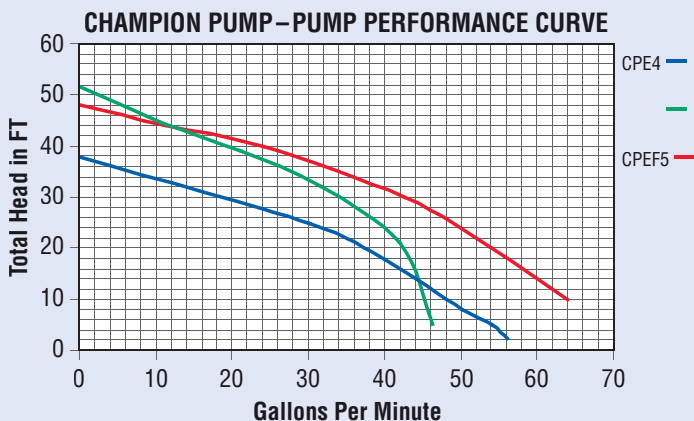


## FEATURES / BENEFITS

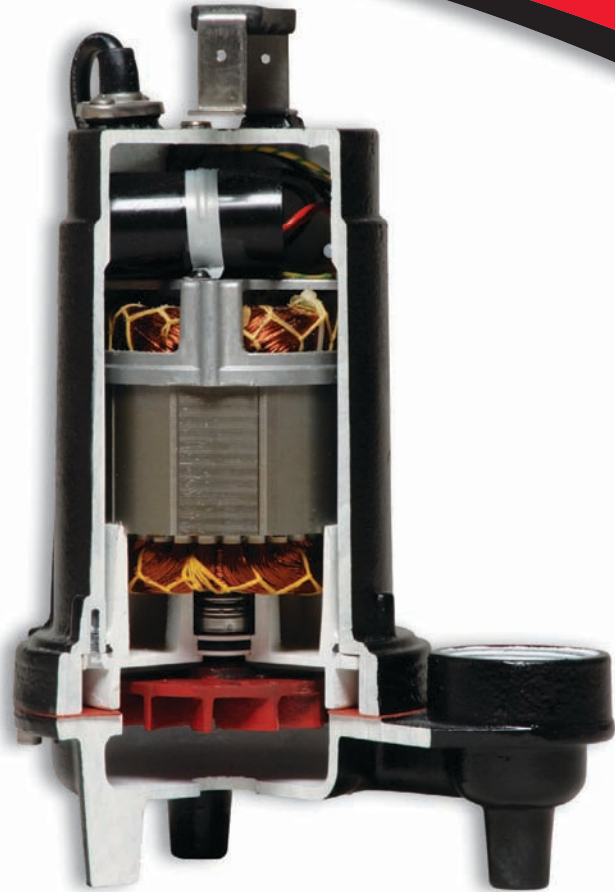
- High Efficient Motor With Upper & Lower Ball Bearings / Runs Cooler & Last Longer
- Cast Iron Vortex Impeller / Helps Prevent Clogging
- Inboard Seal-Rotating Components Of Seal Are In The Motor Housing, Lubricated By The Motor Oil / Seal Will Last Longer If Pump Runs Dry, Hair And Debris Cannot Wrap Around Seal Components
- Secondary Exclusion Seal / Keeps Debris From Entering Seal Cavity
- Sealed Entry-Replaceable Power Cord / Easy To Replace In The Field, Prevents Water From Entering The Motor Housing Through A Cut Power Cord (Up To 50' Available)
- Piggy-Back Switch Design / Defective Switches Can Be Diagnosed By Phone; Pump Can Be Operated Manually by Overriding The Switch
- Every Pump Is Tested In Water / Ensures That The Pump Meets Head & Flow Requirements

## APPLICATIONS

- Dewatering, Elevator Pits, Septic Systems



Distributed by:

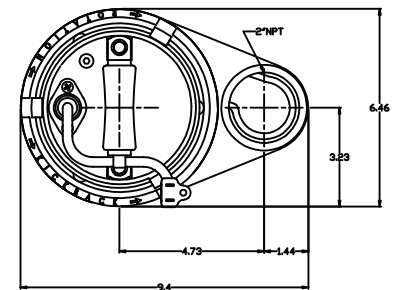
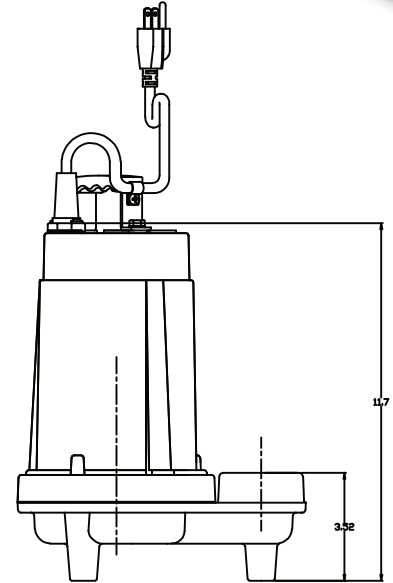


**CPE5V-12**



**CPE5A-12**

<b>DISCHARGE</b>	2" NPT. Vertical
<b>SOLIDS HANDLING</b>	3/4"
<b>LIQUID TEMPERATURE</b>	140 Degrees F. (Intermittent)
<b>MOTOR HOUSING</b>	Cast Iron
<b>VOLUTE</b>	Cast Iron
<b>SEAL PLATE</b>	Cast Iron
<b>IMPELLER</b>	Cast Iron
<b>SHAFT</b>	Stainless Steel
<b>SHAFT SEAL</b>	Inboard Mechanical With Secondary Exclusion Seal Carbon - Rotating Face Ceramic - Stationary Face Buna-N - Elastomer 300 Series Stainless Steel - Hardware
<b>BEARING (UPPER &amp; LOWER)</b>	Single Row, Ball, Oil Lubricated
<b>HARDWARE</b>	300 Series Stainless Steel
<b>SQUARE RINGS</b>	Buna-N
<b>CORD</b>	(UL / CUL) Listed 16 AWG, Type SJTW 20' Length Standard. Other Lengths Available.
<b>CORD ENTRY</b>	Compression Grommet – Outer Jacket Seal Quick Disconnect Pin Terminals
<b>MOTOR (SINGLE PHASE)</b>	4/10 & 1/2 HP, 3450 RPM. 60Hz NEMA L Includes Overload Protection In The Motor. Oil Filled, Class B Permanent Split Capacitor
<b>WEIGHT</b>	35lbs (Manual)



Model	HP	Volts	Phase	Amps	Cord Length	Switch
CPE4-12 • CPE5-12 • CPEF5-12	4/10 • 1/2 • 1/2	115	1	6.6 • 7.2 • 8.5	20	Manual
CPE4-22 • CPE5-22 • CPEF5-22	4/10 • 1/2 • 1/2	230	1	3.3 • 3.6 • 4.3	20	Manual
CPE4-13 • CPE5-13 • CPEF5-13	4/10 • 1/2 • 1/2	115	1	6.6 • 7.2 • 8.5	30	Manual
CPE4-15 • CPE5-15 • CPEF5-15	4/10 • 1/2 • 1/2	115	1	6.6 • 7.2 • 8.5	50	Manual
CPE4A-12 • CPE5A-12 • CPEF5A-12	4/10 • 1/2 • 1/2	115	1	6.6 • 7.2 • 8.5	20	Float
CPE4A-22 • CPE5A-22 • CPEF5A-22	4/10 • 1/2 • 1/2	230	1	3.3 • 3.6 • 4.3	20	Float
CPE4A-13 • CPE5A-13 • CPEF5A-13	4/10 • 1/2 • 1/2	115	1	6.6 • 7.2 • 8.5	30	Float
CPE4V-12 • CPE5V-12 • CPEF5V-12	4/10 • 1/2 • 1/2	115	1	6.6 • 7.2 • 8.5	20	Vertical Float
CPE4V-22 • CPE5V-22 • CPEF5V-22	4/10 • 1/2 • 1/2	230	1	3.3 • 3.6 • 4.3	20	Vertical Float