

FEATURES / BENEFITS

- Performances
 - Heads Up To 104 TDH
 - Flows Up To 44 GPM
- Grinds Sewage And Discharges Through 1-1/4" Pipe
 - Gives A More Economical And Feasible Method To Get Wastewater To A Collection Facility
- Internal Capacitor Start / Capacitor Run Motor
 - Non Overloading
 - Do Not Need Expensive Control Panels
 - High Starting Torque
 - Internal Overload Protection
- Oil Filled Motor
 - Maximum Motor Cooling
 - Even Distribution Of Heat
 - Constant Bearing Lubrication
- Quick Disconnect Power Cord & Seal Failure Cord
 - Prevents Water From Entering The Motor Housing
 - Easy To Replace
 - Up To 50" Lengths Available
- Heavy Duty Cast Iron Construction
- 440 SST (56-60 Rockwell) Cutter Assembly
 - 24,000 Cuts / Second – 1.5 Million Cuts / Minute
- Vortex Impeller
 - Provides Non-Overloading Performance
 - Prevents Clogging
- Shaft Seals
 - Double Seal Design For Longer Life
 - Upper Carbon Ceramic
 - Lower Silicon Carbide
- Every Pump Is Tested
 - Ensures The Pump Meets Head And Flow Requirements
- Piggy Back Float Switch
 - No Need For A Control Panel
- Adjustable / Removable Legs
- Optional Seal Failure
- Easy To Install
- Quick Delivery
- Complete Packages With Or Without Rail Systems

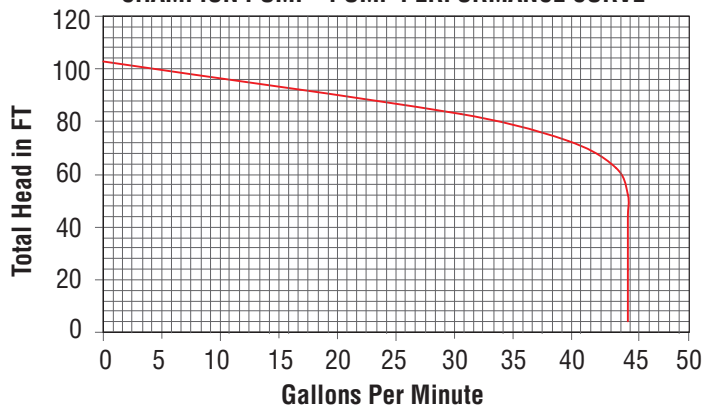
APPLICATIONS

- Residential Developments, Wastewater Transfer, Hospitals, Motels, Apartments, Schools, Churches, Universities, Campgrounds, Office Complexes

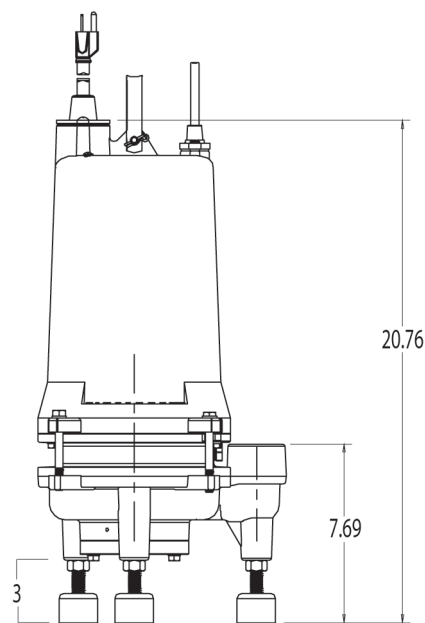
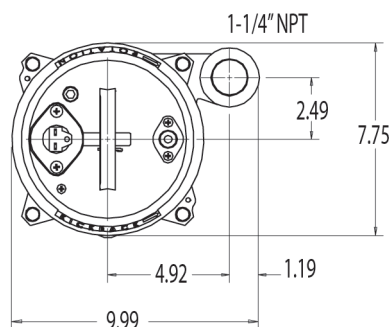
Distributed by:



CHAMPION PUMP – PUMP PERFORMANCE CURVE



DISCHARGE	1-1/4" NPT. Vertical
SOLIDS HANDLING	3"
LIQUID TEMPERATURE	150 Degrees F. (Intermittent)
MOTOR HOUSING	Cast Iron
VOLUTE	Cast Iron
SEAL PLATE	Cast Iron
IMPELLER	Cast Iron
SHAFT	416 Stainless Steel
SHAFT SEAL (SINGLE SEAL)	Silicon Carbide-Silicon Carbide Buna-N-Elastomer 300 Series Stainless Steel - Hardware
SHAFT SEAL (DOUBLE SEAL)	Tandem Double Mechanical Upper / Carbon-Ceramic Lower/ Silicon Carbide-Silicon Carbide Buna-N-Elastomer 300 Series Stainless Steel - Hardware
BEARING (UPPER & LOWER)	Single Row, Ball, Oil Lubricated
HARDWARE	300 Series Stainless Steel
O-RINGS	Buna-N
CORD	20' Length Standard UL/CSA (SJOW) 14/3 (.375OD) Quick Disconnect Pin Terminals
MOTOR (SINGLE PHASE)	3450 RPM, 60 Hz NEMA L Includes Overload Protection In The Motor. Oil Filled, Class F Capacitor Start / Capacitor Run
WEIGHT	85 lbs Manual (Double Seal) 75 lbs Manual (Single Seal)



Model	HP	Volts	Phase	Amps	Cord Length	Switch
CPG2022	2	230	1	15	20	Manual
CPG2022A	2	230	1	15	20	Automatic
CPG2022DS	2	230	1	15	20	Manual
CPG2022ADS	2	230	1	15	20	Automatic