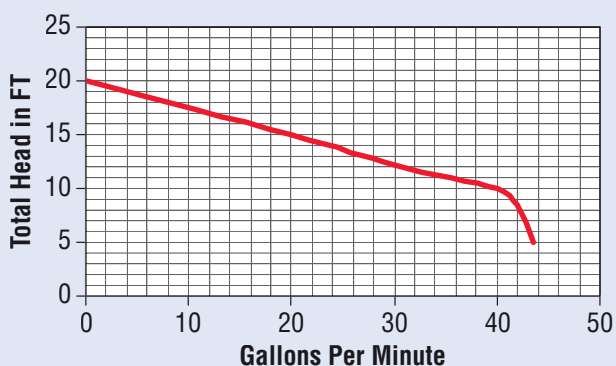


FEATURES / BENEFITS

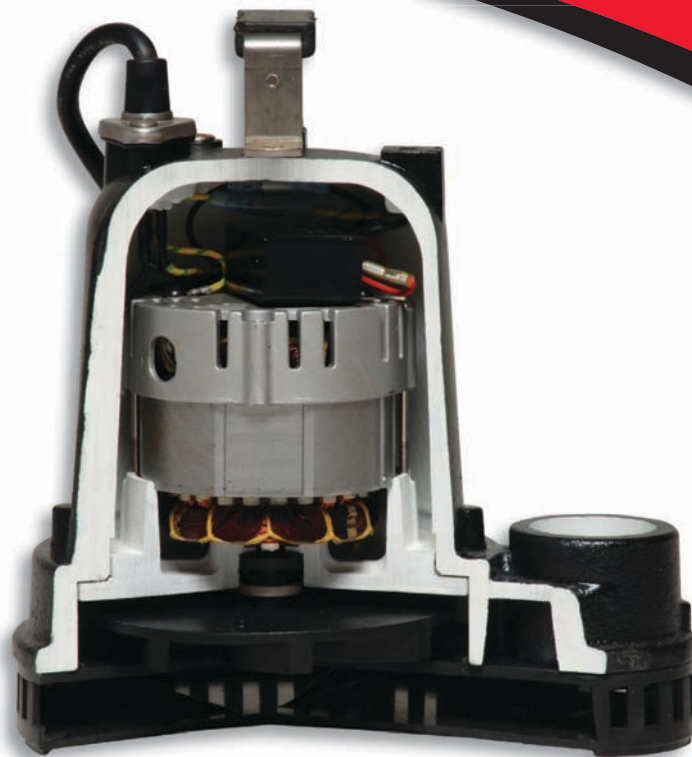
- High Efficient Motor With Upper & Lower Ball Bearings / Runs Cooler & Last Longer
- Vortex Impeller / Helps Prevent Clogging
- Sealed Entry-Replaceable Power Cord / Easy To Replace In The Field, Prevents Water From Entering The Motor Housing Through A Cut Power Cord (Up To 50' Available)
- Piggy-Back Switch Design / Defective Switches Can Be Diagnosed By Phone; Pump Can Be Operated Manually By Overriding The Switch
- Every Pump Is Tested In Water / Ensures That The Pump Meets Head & Flow Requirements

APPLICATIONS

- Basements, Dewatering, Septic Systems, Decorative Ponds



Distributed by:

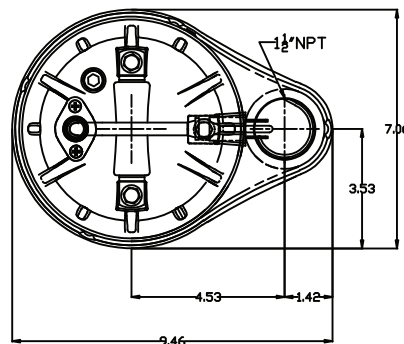
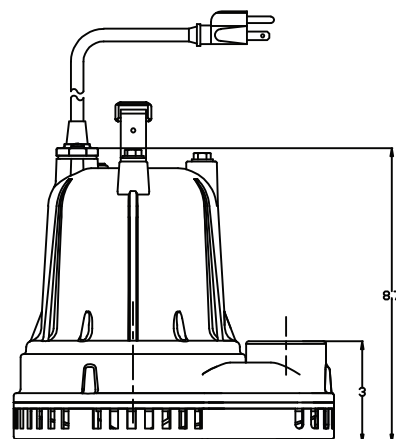


CPS3V-11



CPS3A-11

DISCHARGE	1-1/2" NPT. Vertical
LIQUID TEMPERATURE	140 Degrees F. (Intermittent)
MOTOR HOUSING	Cast Iron
VOLUTE	Cast Iron
SEAL PLATE	Cast Iron
IMPELLER	Nylon + 30% Fiberglass
SHAFT	Nickel Plated Steel
SHAFT SEAL	Mechanical Carbon - Rotating Face Ceramic - Stationary Face Buna-N - Elastomer 300 Series Stainless Steel - Hardware
BEARING (UPPER & LOWER)	Single Row, Ball, Oil Lubricated
HARDWARE	300 Series Stainless Steel
SQUARE RINGS	Buna-N
CORD	(UL / CUL) Listed 16 AWG, Type SJTW 10' Length Standard. Other Lengths Available.
CORD ENTRY	Compression Grommet - Outer Jacket Seal Quick Disconnect Pin Terminals
MOTOR (SINGLE PHASE)	1/3 HP, 1750 RPM, 60Hz NEMA L Includes Overload Protection In The Motor. Oil Filled, Class B Permanent Split Capacitor
WEIGHT	24 lbs (Manual)



Model	HP	Volts	Phase	Amps	Cord Length	Switch
CPS3-11	1/3	115	1	4.0	10	Manual
CPS3-12	1/3	115	1	4.0	20	Manual
CPS3-13	1/3	115	1	4.0	30	Manual
CPS3-15	1/3	115	1	4.0	50	Manual
CPS3A-11	1/3	115	1	4.0	10	Float
CPS3A-12	1/3	115	1	4.0	20	Float
CPS3A-13	1/3	115	1	4.0	30	Float
CPS3V-11	1/3	115	1	4.0	10	Vertical Float
CPS3V-12	1/3	115	1	4.0	20	Vertical Float