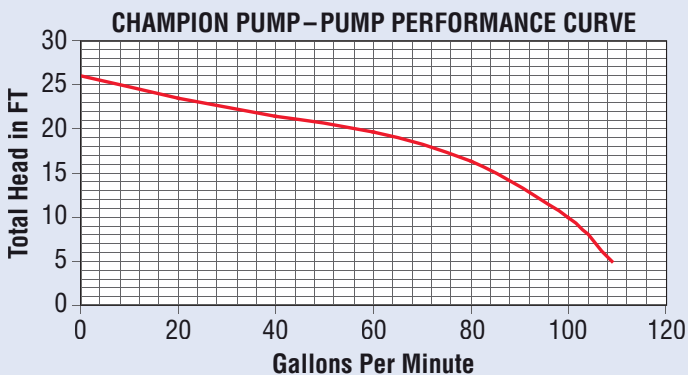


FEATURES / BENEFITS

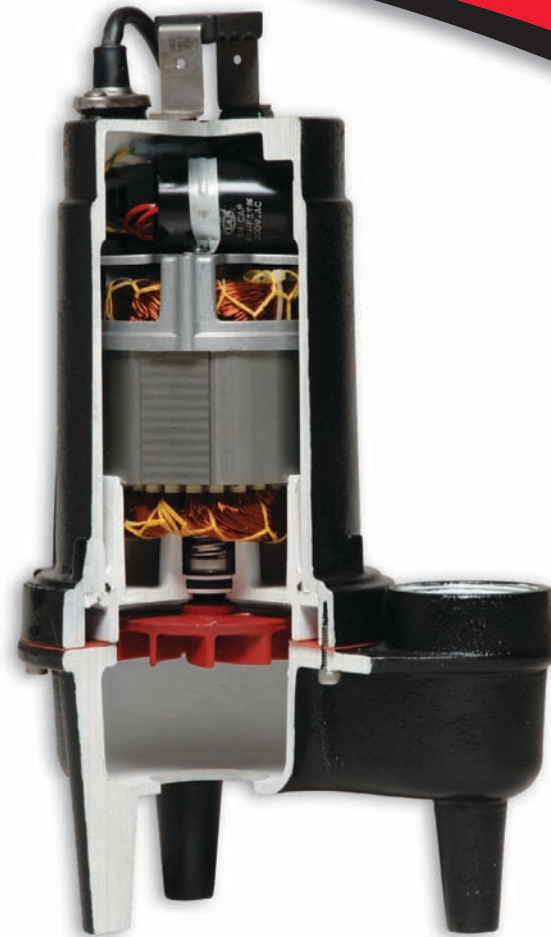
- High Efficient Motor With Upper & Lower Ball Bearings / Runs Cooler & Last Longer
- Cast Iron Vortex Impeller / Helps Prevent Clogging
- Inboard Seal-Rotating Components Of Seal Are In The Motor Housing, Lubricated By The Motor Oil / Seal Will Last Longer If Pump Runs Dry, Hair And Debris Cannot Wrap Around Seal Components
- Secondary Exclusion Seal / Keeps Debris From Entering Seal Cavity
- Sealed Entry-Replaceable Power Cord / Easy To Replace In The Field, Prevents Water From Entering The Motor Housing Through A Cut Power Cord (Up To 50' Available)
- Piggy-Back Switch Design / Defective Switches Can Be Diagnosed By Phone; Pump Can Be Operated Manually by Overriding The Switch
- Every Pump Is Tested In Water / Ensures That The Pump Meets Head & Flow Requirements

APPLICATIONS

- Basements; Dewatering, Septic Systems, Sewage Lift Stations / Add A Baths, Truck Docks



Distributed by:

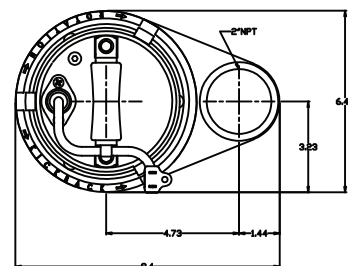
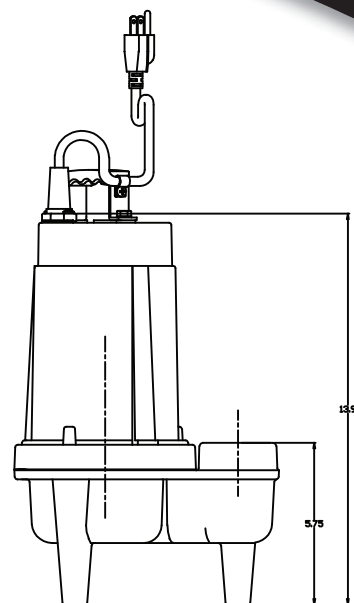


CPW5V-11



CPW5A-11

DISCHARGE	2" NPT. Vertical
SOLIDS HANDLING	2"
LIQUID TEMPERATURE	140 Degrees F. (Intermittent)
MOTOR HOUSING	Cast Iron
VOLUTE	Cast Iron
SEAL PLATE	Cast Iron
IMPELLER	Cast Iron/Vortex
SHAFT	Stainless Steel
SHAFT SEAL	Inboard Mechanical With Secondary Exclusion V-Seal Carbon - Rotating Face Ceramic - Stationary Face Buna-N - Elastomer 300 Series Stainless Steel - Hardware
BEARING (UPPER & LOWER)	Single Row, Ball, Oil Lubricated
HARDWARE	300 Series Stainless Steel
SQUARE RINGS	Buna-N
CORD	(UL/CUL) Listed 16 AWG, Type SJTW 10' Length Standard. Other Lengths Available.
CORD ENTRY	Compression Grommet - Outer Jacket Seal Quick Disconnect Pin Terminals
MOTOR (SINGLE PHASE)	1/2 HP, 3450 RPM, 60Hz NEMA L Includes Overload Protection In The Motor. Oil Filled, Class B Permanent Split Capacitor
WEIGHT	38 lbs (Manual)



Model	HP	Volts	Phase	Amps	Cord Length	Switch
CPW5-11	1/2	115	1	11.5	10	Manual
CPW5-12 CPW5-22	1/2	115 230	1 1	11.5 5.75	20	Manual
CPW5-13	1/2	115	1	11.5	30	Manual
CPW5-15	1/2	115	1	11.5	50	Manual
CPW5A-11	1/2	115	1	11.5	10	Float
CPW5A-12 CPW5A-22	1/2	115 230	1 1	11.5 5.75	20	Float
CPW5A-13	1/2	115	1	11.5	30	Float
CPW5V-11	1/2	115	1	11.5	10	Vertical Float
CPW5V-12 CPW5V-22	1/3	115 230	1 1	11.5 5.75	20	Vertical Float